

Fluke-700HTH
*Hydraulic Test Hose**Instruction Sheet***Introduction**

The Fluke-700HTH Hydraulic Test Hose augments the Fluke-700HTP Hydraulic Test Pump. It is self-sealing, with an easy, finger-tight connection, and very low volumetric expansion. The 10,000 psi / 700 bar working pressure hose features stainless steel and nylon construction, and is suitable for oil and water. The hose has the following specifications:

- Working pressure: 700 bar / 10,000 psi
- Minimum burst pressure: 2500 bar / 36,200 psi
- Minimum bend radius: 60 mm / 2.36 in.
- Working temperature: - 30 ° C to + 80 ° C
(- 22 ° F to + 176 ° F)
- Construction: nylon, stainless steel, brass, PTFE, and nitrile
- Outer diameter: 6.9 mm (0.27 in.)
- Bore: 3.2 mm (0.13 in.)
- Fluids: water, oil

Box Contents

- (1) 1 m (3.3 ft) self-sealing hose assembly
- (1) Stainless steel test point
- (1) Stainless steel gauge adapter
- (2) Bonded seals
- (2) Adapters: 1/4 in. NPT male to 1/4 in. NPT male
1/4 in. NPT male to 1/8 in. NPT male
- (4) Nylon seals
- Instruction Sheet

How to Contact Fluke

To contact Fluke, call one of the following numbers:

USA: 1-888-99-FLUKE (1-888-993-5853)

Canada: 1-800-36 FLUKE (1-800-363-5853)

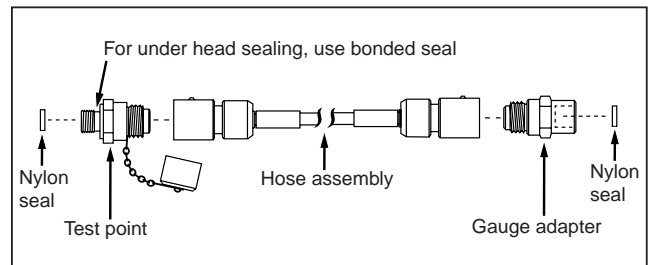
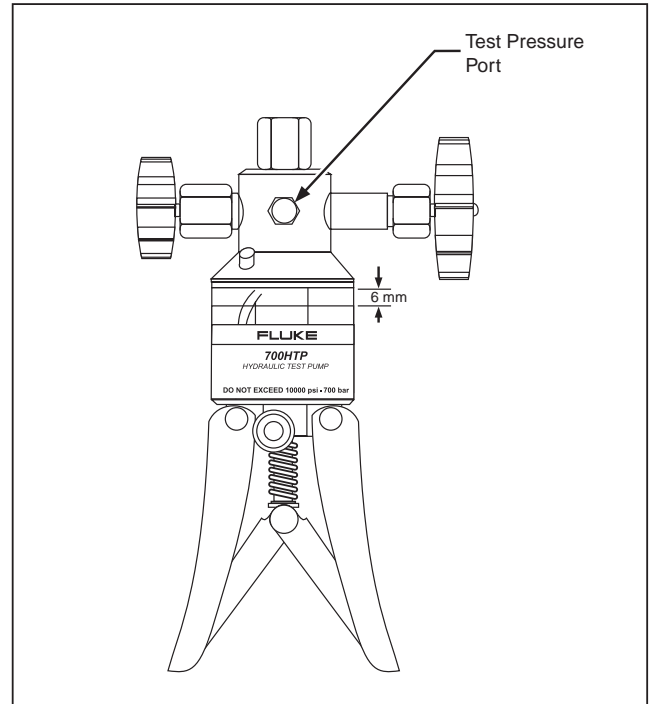
Europe: +31 402-678-200

Japan: +81-3-3434-0181

Singapore: +65-738-5655

Anywhere in the world: +1-425-356-5500

Visit us on the World Wide Web at: www.fluke.com

**Guidelines for Use****⚠ Warning**

To prevent personal injury, do not exceed working pressure and ensure that all connections are made correctly. Pressure built up internally during use can be extremely high. Uncontrolled release of high pressure can be hazardous to individuals and may cause damage to equipment.

1. Connect test point to the test pressure port of the Fluke-700HTP pump with nylon seal provided.
2. Connect gauge adapter to item under test using nylon seal provided.

3. Ensure hose connections are fully screwed down onto test points and gauge adapters before applying pressure.
4. **Only** use oil or water.
5. **Do not** attempt to use hose if there are any signs of damage to the outer covering, i.e., cuts, kinks, etc.
6. **Do not** bend hose more than the minimum bend radius of 60 mm (2.36 inches).
7. **Do not** attempt to connect or disconnect the hose while under pressures greater than 200 bar.

Limited Warranty and Limitation of Liability

This Fluke product will be free from defects in material and workmanship for one year from the date of purchase. This warranty does not cover fuses, disposable batteries, or damage from accident, neglect, misuse, alteration, contamination, or abnormal conditions of operation or handling. Resellers are not authorized to extend any other warranty on Fluke's behalf. To obtain service during the warranty period, contact your nearest Fluke authorized service center to obtain return authorization information, then send the product to that Service Center with a description of the problem.

THIS WARRANTY IS YOUR ONLY REMEDY. NO OTHER WARRANTIES, SUCH AS FITNESS FOR A PARTICULAR PURPOSE, ARE EXPRESSED OR IMPLIED. FLUKE IS NOT LIABLE FOR ANY SPECIAL, INDIRECT, INCIDENTAL OR CONSEQUENTIAL DAMAGES OR LOSSES, ARISING FROM ANY CAUSE OR THEORY. Since some states or countries do not allow the exclusion or limitation of an implied warranty or of incidental or consequential damages, this limitation of liability may not apply to you.

Fluke Corporation
P.O. Box 9090
Everett, WA 98206-9090
U.S.A.

Fluke Europe B.V.
P.O. Box 1186
5602 BD Eindhoven
The Netherlands